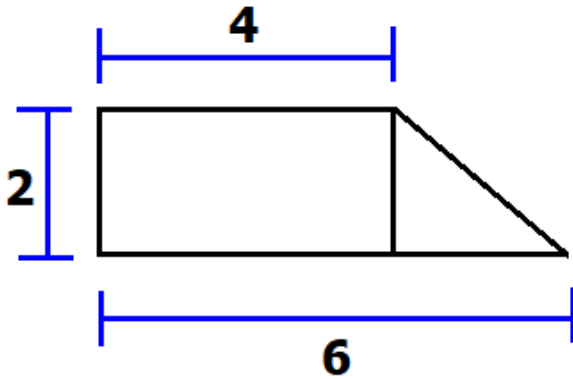


And we know that the Son of God has come and has given us an understanding, that we may know Him who is true; and we are in Him who is true, in **His Son Jesus Christ**. **This is the true God** and eternal life. 1 John 5:20

So God created man in His *own* image; in the image of God He created him; **male** and **female** He created them. Genesis 1:27

Find the perimeter and area of the following figure.



Perimeter: You need to add all the sides around the figure. Also, you need to use Pythagorean theorem to find the missing side (diagonal = $\sqrt{8}$) the final answer is **$12 + \sqrt{8}$** (Perimeter is given in linear units like **m, in, ft, km, yd, mi**, etc.)

Area: Find the area of the triangle and the area of the rectangle and you add. Area of the rectangle is $4 * 2 = 8$ and area of the triangle $2 * 2 / 2 = 2$; Final Answer = **10** (Area is given in square units like **m², in², ft², km², yd², mi²**, etc.)

In conclusion, Area and Perimeters are important concepts in geometry and are used in various fields such as architecture, engineering, construction, art, and many others.

He who believes in the Son has everlasting life; and he who does not believe the Son shall not see life, but the wrath of God abides on him." John 3:36